

CUSTOMER PART No.

CUSTOMER

**CAN ART STD.**

DIE No.

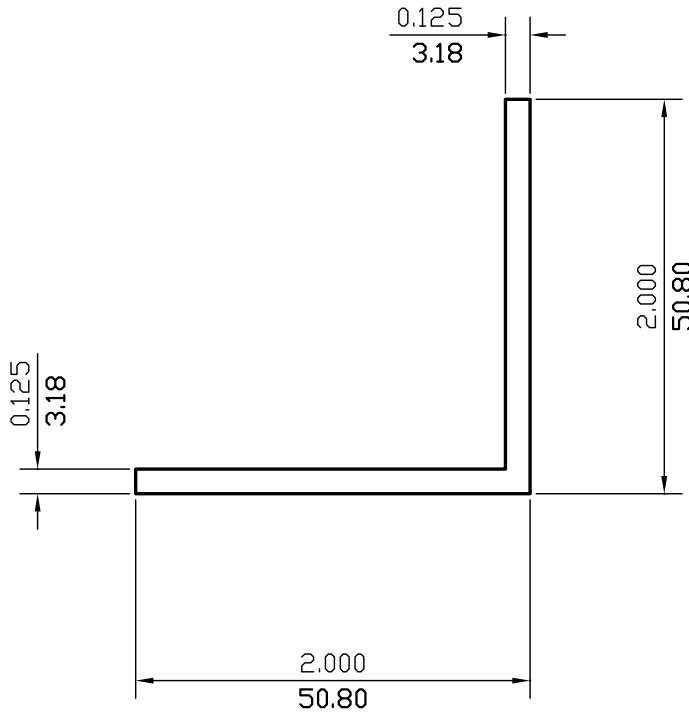
ES05604

DESCRIPTION

2" x 2" x 1/8" ANGLE

PROPOSAL No.

S-7727



NOTE: BREAK ALL CORNERS WITH 0.015" (.38 MM) RADIUS UNLESS OTHERWISE NOTED. STANDARD TOLERANCES TO APPLY UNLESS OTHERWISE SPECIFIED.

WALL THICKNESS 0.125 (3.18) EXCEPT AS SHOWN

DATE	REV	DESCRIPTION	BY
03/20/23	2	REMOVED ALLDY	JASON
10/05/00	1	UPDATED DRAWING	P.M.
EST.AREA	0.484	IN. <sup>2</sup>	EST.AREA 312.502
			MM. <sup>2</sup>
EST.WT.	0.572	LBS/FT.	EST.WT. 0.851
			KG/M.
EST.PER.	8.000	IN.	EST.PER. 203.200
			MM.
OUT PER.		IN.	OUT PER.
			MM.
C.C.D.	2.828	IN.	C.C.D. 71.842
			MM.
FACTOR	14	FINISH M/F	ALLOY & TEMP.
CKD BY	SCALE 1:1	DWN BY C.P.	DATE 05/28/98

**CAN ART**

ALUMINUM EXTRUSION INC.

85 PARKSHORE DRIVE  
BRAMPTON, ONT L6T 5M1  
TEL. NO. (905) 791-1464  
FAX NO. (905) 791-9151  
E-MAIL: canart@canart.com

THIS DRAWING IS NOT NECESSARILY A COPY OF YOUR ORIGINAL. PLEASE APPROVE DIMENSIONS AND TOLERANCES INDICATED. CAN ART ASSUMES NO RESPONSIBILITY EITHER TECHNICAL OR LEGAL FOR HAVING THIS SHAPE MADE. THE CUSTOMER AGREES TO FULLY PROTECT CAN ART ALUMINUM FROM CLAIMS OF OTHERS RESULTING FROM THIS SHAPE.

SIGNED: \_\_\_\_\_ DATE: \_\_\_\_\_